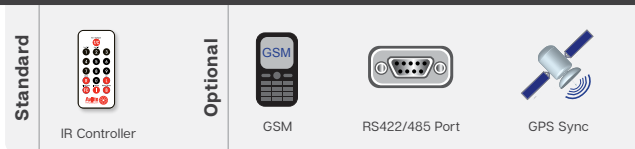


FAA L-864 Medium Intensity Obstruction Light

AV-OL Series Universal AC or Universal DC Light Fixture



This Avlite medium intensity LED obstruction light is certified to the FAA L-864 Medium Intensity Obstruction Lighting advisory circular. The light is used to mark obstacles such as telecommunication and utility towers, wind turbines, cranes, buildings and other tall structures.

Avlite's LED obstruction lights offer an ultra-bright, energy efficient and cost effective lighting solution. The light fixture is available in two configurations, universal DC (12–48VDC) or universal AC (110–240VAC).

The advanced light optic uses a multiple, high intensity LEDs for efficient operation. The corrosion resistant, acrylic lens is specifically designed for use with LEDs to maximize light intensity and uniformity.

The light fixture incorporates internal diagnostic checking and an alarm contact for remote monitoring. The alarm relay is energized in normal operation and is released if there is an LED or power fault.

Options

- RS422/RS485 Monitoring
- GPS Synchronization
- GSM Monitoring & Control

IR Remote Control

The IR remote is used to communicate with Avlite lighting products that have an IR sensor fitted. The remote control is used to control functions such as operation mode (dusk-till-dawn or always-on) and the lux levels (lux settings for dusk and dawn).



Features

- Cost effective, energy efficient obstruction lighting solution
- Available in universal DC: will accept between 12–48VDC
- Available in universal AC: will accept between 110–240VAC
- Alarm contact for remote monitoring
- Light sensor for day/night operation
- LED technology reduces maintenance time & costs
- Provision for external hardwire synchronisation

Applications

- Medium Intensity Obstruction Light for marking obstacles from 150 feet

Optional

- Solar powered configurations available

Compliance


- FAA Engineering Brief No. 67D

Certifications

- FAA L-864 Medium Intensity Obstruction Light, FAA AC 150/5345-43H
- Available in universal AC: will accept between 110–240VAC

Technical Specifications *

FAA L-864 MIOL		
	12-48 VDC	110-240 VAC
Light Characteristics		
Available colors	Red as standard. Other colors available on request	Red as standard. Other colors available on request
Effective Intensity (cd)†	2000cd ± 25%	2000cd ± 25%
Horizontal Output (degrees)	360	360
Vertical Divergence (degrees)	3°	3°
Available Flash Characteristics	0.2s ON, 1.8s OFF – 10% duty cycle	0.2s ON, 1.8s OFF – 10% duty cycle
Electrical Characteristics		
Operating Voltage	12 – 48 VDC	110 – 240 VAC 50/60Hz
Power (Average Flashing)	5W	Pmax: 5W, Smax: 7.6VA
Power (Peak)	60W	Pmax: 36W, Smax 48VA
Circuit Protection	Integrated	Integrated
Temperature Range	-40 to 80°C	-40 to 80°C
Physical Characteristics		
Body Material	7-stage powder-coated aluminium	7-stage powder-coated aluminium
Lens Material	Impact modified UV stabilized acrylic	Impact modified UV stabilized acrylic
Lens Diameter (mm/inches)	171 / 6 3/4	171 / 6 3/4
Lens Design	Multi LED Optic	Multi LED Optic
Mounting	200mm bolt pattern	200mm bolt pattern
Height (mm/inches)	151 / 6	151 / 6
Width (mm/inches)	230 / 9	230 / 9
Depth (mm/inches)	230 / 9	230 / 9
Mass (kg/lbs)	5.5 / 12 1/4	5.8 / 12 3/4
Product Life Expectancy	12 years plus	12 years plus
Environmental Factors		
Humidity	0 to 100%, MIL-STD-810F	0 to 100%, MIL-STD-810F
Icing	3.41kg per square cm / 48.5lbs per square inch	3.41kg per square cm / 48.5lbs per square inch
Wind Speed	Up to 240kph / 150mph	Up to 240kph / 150mph
Certifications		
CE	EN61000-6-3:2007 EN61000-6-1:2007	EN61000-6-3:2007 EN61000-6-1:2007
Quality Assurance	ISO9001:2015	ISO9001:2015
FAA, DGAC.	L-864 Medium Intensity Obstruction Light (Qualified by Intertek)	L-864 Medium Intensity Obstruction Light (Qualified by Intertek)
Waterproof	IP68	IP68
Intellectual Property		
Trademarks	AVLITE® is a registered trademark of Avlite Systems	AVLITE® is a registered trademark of Avlite Systems
Warranty *	5 year warranty	5 year warranty
Options Available	<ul style="list-style-type: none"> Variety of solar/battery configurations GSM Cell-Phone Monitoring GPS Synchronisation RS422/485 communications port 	<ul style="list-style-type: none"> GSM Cell-Phone Monitoring GPS Synchronisation RS422/485 communications port

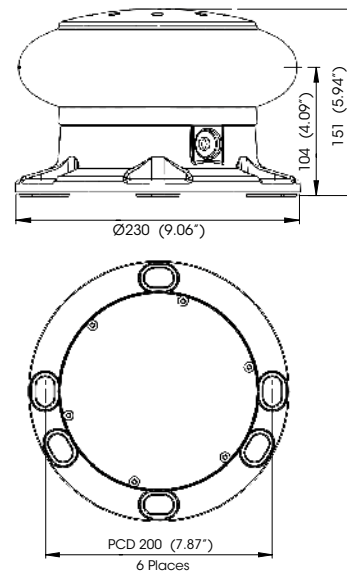
 Specifications subject to change or variation without notice
 * Subject to standard terms and conditions
 † Intensity setting subject to solar availability

FAA Monitoring Requirement

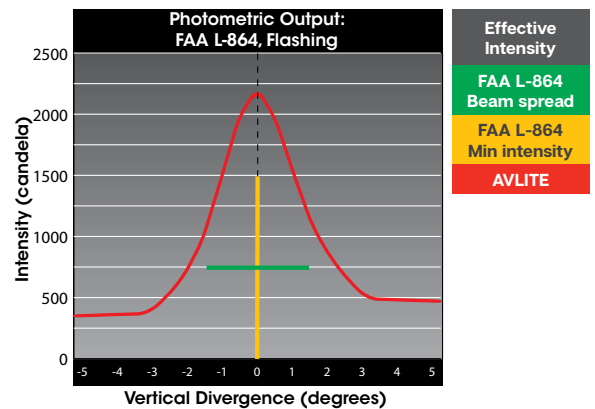
The FAA states that 'conspicuity is achieved only when all recommended lights are working' and 'any outage should be corrected as soon as possible'. The operational status of all lights should be confirmed at least once every 24 hours. If a structure is not easily inspected by visual observation, an automatic monitoring system should be used.

Avlite has a selection of automatic monitoring systems available for use with their obstruction light range to comply with FAA requirements.

Technical Illustration



Photometric Output



How to Order FAA L-864 MIOL

AV-OL-FL864-[Model]-R-[?]-[?]
Product No.: _____
Certification: FL864 = FAA L-864 MIOL
Model:
 12 = 12-48 VDC
 UM = 110-240 VAC
Color:
 R = Red
Monitoring & Control: _____
 GSM = GSM
 GPS = GPS Synchronisation
 [blank] = No monitoring & control
RS Communications Port: _____
 RS = RS communications port
 [blank] = No RS communications port
Note: Please contact your Avlite representative for optional power supply solutions

How to Order Solar Power Supply

AV-PS-110-140-01
Product No.: _____
Battery Capacity: 110 = 110 Ah
Solar Output: 140 = 140 watts
Mount Type: 01 = post mount