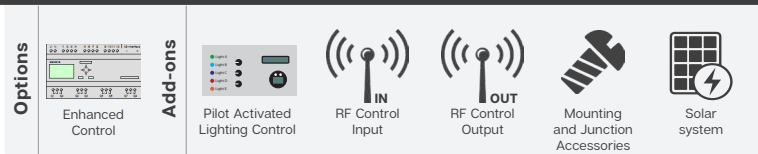


Heliport Lighting Controller

HLS T1 Controller



The HLS T1 (Type 1) Controller is an essential component of helipad lighting systems. It blends manual and remote-control functionality into a compact, intuitive and user-friendly package to provide power, monitoring and control of the installed helipad light fixtures.

The T1 helipad controller automatically evaluates the helipad lights for operation and performance. It is designed to work with a maximum of 24 perimeter lights and 4 floodlights and can also be connected to an illuminated wind direction indicator to indicate wind direction and speed.

The Controller is available in two input power configurations; a universal AC or DC and comes with optional enhanced control which includes light dimming control and interfaces for RF control output via an optional add-on.

As standard, the controller comes with BMS Input Control Interfaces (digital I/O or Modbus TCP/IP) and either RF input (via RF relay) or PALC (Pilot Activated Lighting Control) interfaces. The PALC enables remote operation of an unmanned heliport and is available with either CASA or FAA compliance.



Features

- Designed for optimised cabling, mounting and installation
- Solar optimised with optional solar add-on available
- Reduced lead times due to standardised build
- Application aligned control interfaces
- Industry and application standard monitoring interface

Cost Effective

- Reduced lead times
- Single supplier product with all lighting also available from Avlite

Easy to Install

- Convenient design
- Optimised for reduced installation time

Applications

- Surface Level/ Terrestrial Heliports
- Elevated Heliports

Turn-key Heliports

- Quick and easy purchase of all light using standard T1 Controller
- Industry and application standard monitoring interface

Reliable

- 3 year warranty on Control enclosure

Options

- Enhanced control
 - Light Dimmability
 - RF Control Output add-on compatibility

Add-ons

- RF Control Input add-on
- RF Control Output add-on
- PALC (Pilot Activated Lighting Control)
- Solar add-on
- Control unit mounting hardware
- Junction boxes

Technical Specifications*

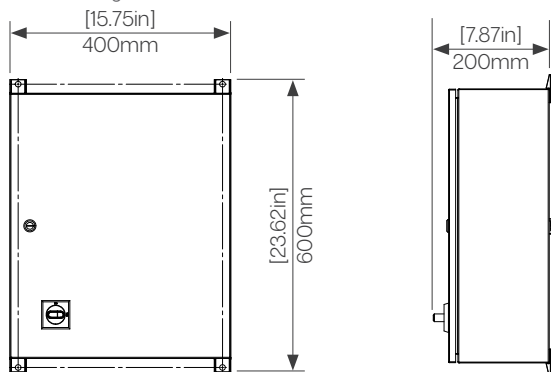
HLS T1 Controller		AC	DC	
Electrical Characteristics				
Input				
Input Voltage		90-264 VAC	18-30 VDC	
Input Frequency		50 / 60 Hz	N/A	
Power Consumption				
Peak		552 VA	20W ¹	
Interfaces				
Control	Manual, Digital Input (I/O), Modbus TCP/IP			
Monitoring	Modbus TCP/IP			
Physical Characteristics				
Dimensions	Height (inches/mm)	Width (inches/mm)	Depth (inches/mm)	Mass (lbs./kg)
Control Unit	23.62 / 600	15.75 / 400	7.87 / 200	63 / 28.5
Mounting				
Control Unit	Wall mounted (mounting accessories available)			
Certifications and Compliance				
CE	EN61000-6-3:2007, EN61000-6-1:2007			
Quality Assurance	ISO9001:2015			
Protection Rating	IP65/NEMA4X			
Intellectual Property				
Trademarks	AVLITE® is a registered trademark of Avlite Systems			
Warranty *	3 year warranty			
Options Available	Enhanced control with Light Dimmability and RF Control Output add-on compatibility			
Add-ons Available	RF Control Input RF Control Output PALC (Pilot Activated Lighting Control) Solar System Control unit mounting hardware Junction Boxes			

1. Excludes distributed power to light fixtures

Technical Illustrations

Controller

Note: Mounting hardware not included.



How to Order HLS T1 Controller

AV-HL-CTRL-T1 - [?] - [?]

Product No.:

Input:

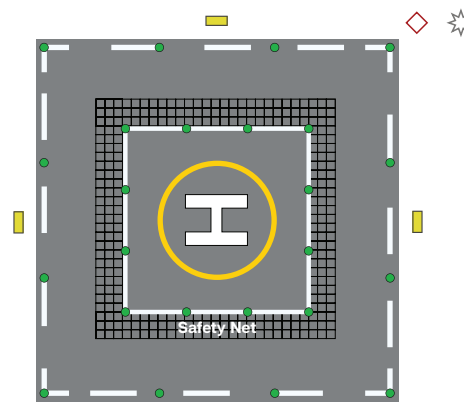
DC = DC

UM = AC (universal mains/inputs)

Configuration:

00 = No Options

01 = Enhanced Control



● 24 perimeter lights

■ 4 Flood lights

◇ T1 Controller

★ Illuminated Wind Cone



* Specifications subject to change or variation without notice
* Subject to standard terms and conditions