

Obstruction Kit Solution

ICAO I-1

Optional



Add on solar system



Monitoring



Cable Kit



Mounting Accessories

Control Unit



Low Intensity Dual Obstruction Light

The Avlite ICAO I-1 Obstruction Lighting Kit is a full turnkey solution for I-1 structures up to 45 metres above ground. The kit consists of a Low Intensity (LI) Dual Obstruction Light and a central control unit. The I-1 Obstruction Kit is available in universal AC or DC input power configurations.

Utilising a Dual LI light assembly and central Control Unit, the kit is designed for ease of installation and maintenance, and meets the requirements of Low Intensity Obstruction Light Type A & B - ICAO Annex 14, Volume 1, Sixth Edition, July 2013.

The I-1 Obstruction Kit monitoring capabilities include dry contacts for interface with owner furnished monitoring equipment or GSM or SATCOM monitoring that reports to a user-accessible portal, Star2M®.

The complete system is designed to be immune to high voltage EMI (electromagnetic emissions), is waterproof rated to a minimum of IP65, and capable of continuous operation between temperatures of -40°C and +55°C.

Features

- External and remote monitoring capabilities via GSM or SATCOM
- Designed for optimised cabling, mounting and installation



Cost Effective

- All in one kit solution
- Single supplier product

Easy to Install

- Lightweight and convenient
- Optimised cabling for reduced installation time

Applications

- I-1 tower configurations for structures up to 45 metres AGL

Compliance

- Low Intensity Obstruction Light Type A & B - ICAO Annex 14, Volume 1, Sixth Edition, July 2013

Reliable

- 5 year warranty on light fixtures
- 3 year warranty on Control unit

Optional Add Ons

- Add on standalone solar system sized to region
- Mounting Brackets
- Cable Kit for 45 m structure
- Star2M remote monitoring integration via GSM or SATCOM

Technical Specifications*

ICAO I-1 Obstruction Kit		AC	DC	
Electrical Characteristics				
Input Voltage		90-264VAC	12-48VDC	
Input Frequency		50/60 Hz	N/A	
Power Consumption				
Peak		20VA	6W	
Average*		Night: 15VA	Night: 4.5W	
Physical Characteristics				
Dimensions	Height (inches/mm)	Width (inches/mm)	Length (inches/mm)	Mass (lbs./kg)
LI Dual	8.5 / 216	10.3 / 259.2	5.3 / 133	2.53/ 1.15
Control Unit	13.5 / 343	12 / 305	6.66 / 169	16 / 7.3
Mounting				
LI Dual	½ inch pipe thread			
Control Unit	Wall mounted (mounting accessories available)			
Certifications and Compliance				
CE	EN61000-6-3:2007, EN61000-6-1:2007			
Quality Assurance	ISO9001:2015			
Protection Rating	Junction and Control Box: IP65/NEMA4X Lights: IP67			
ICAO	Low Intensity Obstruction Light Type A & B			
Intellectual Property				
Trademarks	AVLITE® is a registered trademark of Avlite Systems			
Warranty*	5 year warranty on light fixtures 3 year warranty on Control Unit			
Options Available	Mounting Brackets Solar Input Power (for 12-48VDC) Cable Kit (for 45m height) Remote Monitoring and Control Mounting Bolt Kit (includes bolts, nuts, washers)			

* Calculated using Dual LI Type B lights.

+ Please refer to the individual light installation manuals for further specifications

Star2M - Monitoring option available

GPS positioning via internet mapping system



How to Order ICAO I-1 Kit Obstruction Solution

AV-OL-KT-I1 - [?] - [?]

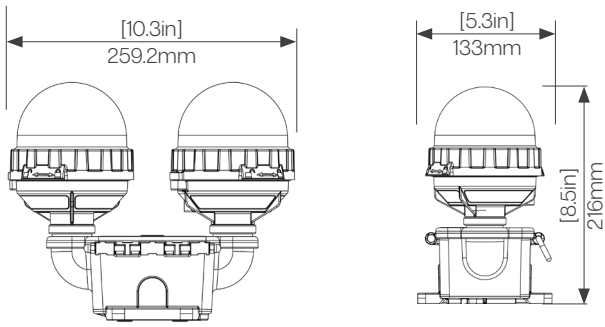
Product No.: _____
Input: _____
 DC = VDC
 UM = VAC
Monitoring: _____
 00 = No Options
 01 = Satellite Monitoring
 02 = GSM Monitoring



• Specifications subject to change or variation without notice
 * Subject to standard terms and conditions

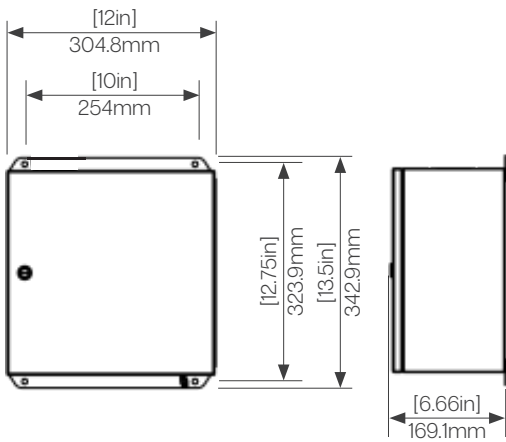
Technical Illustrations

Low Intensity Dual Obstruction Light



Control Unit

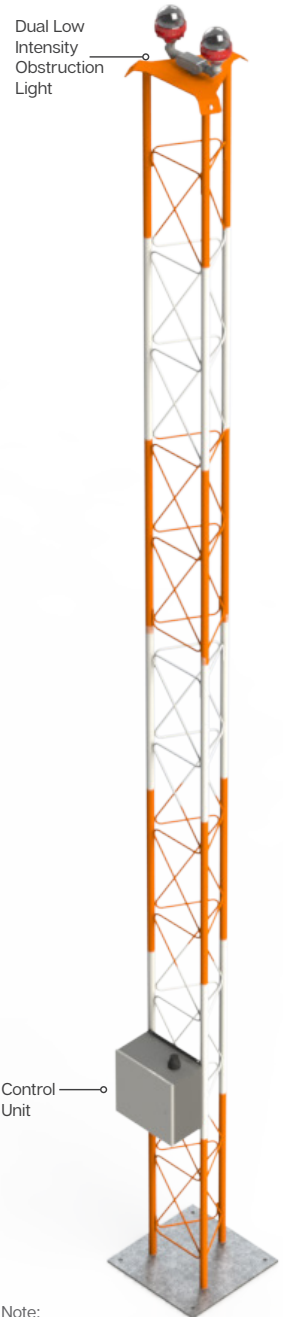
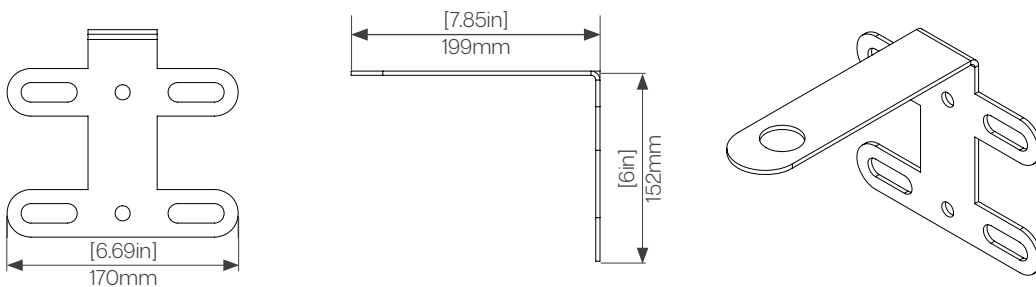
Note: Mounting hardware not included.



Optional Universal Mounting Bracket

Note: Includes mounting hardware.

Part No: AV-ACC-MA-07



- Note:
- Optional Cable Kit available for 45 m structure. Cable sold separately.