

LED Precision Approach Path Indicator

AV-PAPI Series 3 (Voltage Powered Systems)



Intertek
Intertek certified to
FAA AC 150/5345-28H



Buy American
List



ICAO
Compliant

The Avlite LED Series 3 PAPI is a highly efficient Precision Approach Path Indicator. It uses LEDs as a light-source to reduce maintenance, lower power consumption, and increase reliability, safety and visibility. The light head unit is designed for energy efficiency, and can be supplied with AC or DC voltage input, or optional solar power supplies. The Series 3 is also available with optional marine-grade finishes to withstand prolonged exposure in environments with high humidity and salinity.

Features

Patented LED Optics

Innovative optics achieve the industry's lowest power consumption, uniform intensity, and sharpest red/white transition for critically accurate approach slope information to the pilot.

Field Proven Design

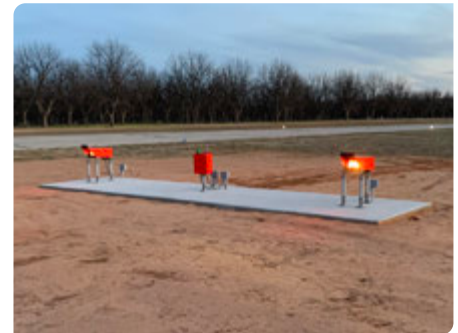
The Avlite LED PAPI was developed by Laser Guidance Inc, a United States designer and manufacturer of high precision aviation lighting products. Now in its 3rd generation, over 100 systems have been deployed globally on all seven continents.

Permanent or Portable Operations

Available with permanent frangible or temporary mounting legs, the PAPI is designed to support various usage conditions.

Designed for Commercial or Military Applications

The Avlite LED PAPI is one of the only PAPIs on the market capable of supporting visual and infrared operational states within the same optic. Switchable by ground operators, the visual PAPI allows pilots to identify approach slope information using traditional means of WHITE/RED light or flashing infrared combinations.



Cost Effective

- Low power consumption
- Low maintenance

High Performance

- Fully integratable into an Avlite runway system
- Remote control options

Applications

- Airfield lighting

Certifications

- FAA L880/881 AC 150/5345-28H Style A, Class I includes Heated Lens and Tilt Switch options (Certification pending for FAA Style B)

Compliance

- Photometrically compliant to ICAO, DGAC and UFC standards
- Buy American List

Reliable

- No bulbs blown – ever
- Latest LED technology
- No moving parts

Optional Add Ons

- Solar power supplies
- Mounting solutions
- Marine grade stainless steel
- External baffles (blinking devices)

Technical Specifications .*

AV-PAPI Series 3		AC [†]	DC		
Electrical Characteristics					
Input Voltage	90-264VAC		24V Nominal (21 - 28 VDC)		
Input Frequency	50/60 Hz		N/A		
Power Consumption					
ICAO/FAA L-880 (4-Box)	328 VA		267 W		
FAA L-881 (2-Box)	161 VA		134 W		
ICAO APAPI	85 VA		70 W		
Physical Characteristics					
Body Material	Epoxy painted aluminum chassis with aviation orange standard; yellow and other colors available				
Hardware Material	Stainless steel & anodized aluminum				
Lens Design	Optical glass lens				
Mounting	Permanent and portable				
Dimensions (LHA Only)	Height (inches/mm)	Width (inches/mm)	Length (inches/mm)	Weight (lb/kg)	
Permanent	Minimum: 22.27 / 566 Maximum: 42.67 / 1083	12.75 / 324	26.87 / 682	17.8 / 8.07	
Portable	Extended: 19.45 / 494 Collapsed: 14.2 / 360	13.22 / 335	26.47 / 672	25 / 11.34	
Environmental Factors					
Temperature	-31 to 131 °F (-35 to +55 °C) - Ambient -67 to 176 °F (-55 to +80 °C) - Storage				
Wind Loading	100 mph (45 m/s)				
Certifications and Compliance					
CE	EN61000-6-3:2007 EN61000-6-1:2007				
Quality Assurance	ISO 9001:2015				
ICAO	Annex 14 Part 1 PAPI (2 & 4 LHA) & APAPI (2 LHA) Compliant				
FAA	L-880/881 (2 & 4 LHA) AC 150/5345-28H Certified Style A Class I				
UFC	3-535-01 (4 LHA) Compliant				
DGAC	Pending				
Intellectual Property					
Patents	U.S. Patent No. US 9,863,601 B2				
Trademarks	AVLITE® is a registered trademark of Avlite Systems				
Warranty *	Avlite PAPI systems (AV-PAPI) are warranted against mechanical and physical defects in design or manufacture for a period of 12 months from date of installation or 24 months from shipment date; and are warranted against electrical defects in design or manufacture of the LED or LED specific circuitry for a period of 4 years per FAA EB67 (applicable edition).				
Options Available	<ul style="list-style-type: none"> • IR mode • Solar power supply • Generator kit • Battery kit • 2.4 GHz, PALC/ARCAL • Hardwired control • Mounting solutions • Marine grade stainless steel • External baffles (blinking devices) 				

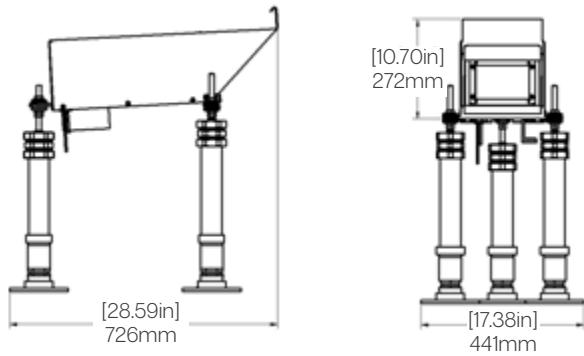
CE • Specifications subject to change or variation without notice. * Subject to standard terms and conditions.
[†] FAA 150/5345-28H Certified

Available Configurations

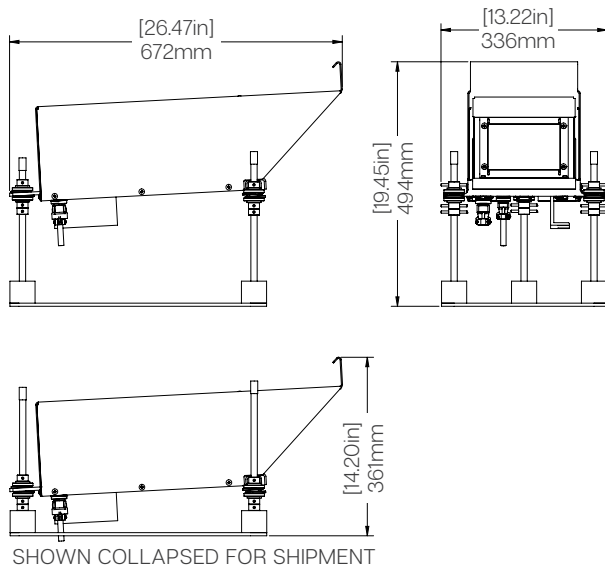
Model	Size	Mounting	Output	Power	Control
PAPI	Standard 2 LHA	Permanent	Visible	Solar Kit	Wired
	Standard 4 LHA	Portable	Visible / IR	Generator Kit	Wireless
Marine Grade PAPI				Battery Kit	Photocell
				AC	CCR
				CCR	

Technical Illustrations

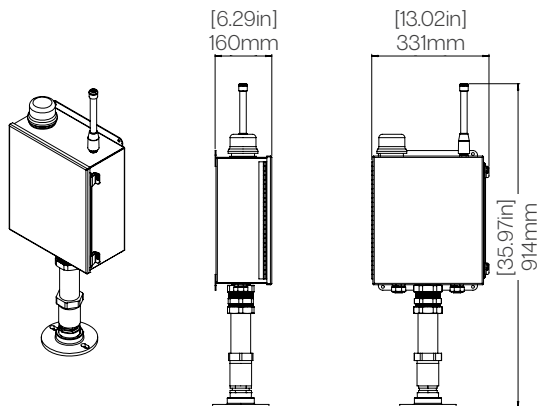
Series 3 PAPI with Permanent Mount



Series 3 PAPI with Portable Mount



Power Control Unit



How to Order AV-PAPI Series 3

AV-PAPI - [?] - [??] - [??] - [??]* - [?]

Product No.: _____

Standard/Size: _____

- A = ICAO Abbreviated-PAPI 2-LHA
- 2 = FAA 2-LHA
- 4 = FAA/ICAO 4-LHA

Mounting: _____

- P0 = Permanent
- P1 = Portable

Input Voltage: _____

- UM = 100-240VAC (FAA Style A)
- 24 = 24VDC

Options: _____

- 0 = None
- 1 = Radiofrequency Control
- 2 = Infrared Only
- 3 = Infrared and Radiofrequency Control
- 4 = Heated Lens
- 5 = Radiofrequency Control and Heated Lens
- 6 = Infrared and Heated Lens
- 7 = Infrared, Radiofrequency Control, and Heated Lens
- 8 = Tilt Switch
- 9 = Radiofrequency Control and Tilt Switch
- 10 = Infrared and Tilt Switch
- 11 = Infrared, Radiofrequency Control, and Tilt Switch
- 12 = Heated Lens and Tilt Switch (Standard FAA Version)
- 13 = Radiofrequency Control, Heated Lens, and Tilt Switch
- 14 = Infrared, Heated Lens, and Tilt Switch
- 15 = Infrared, Radiofrequency Control, Heated Lens, and Tilt Switch

Color: _____

- 0 = FAA Orange
- 1 = ICAO Yellow
- 2 = Marine Grade Orange
- 3 = Marine Grade Yellow
- 4 = Desert Sand
- 5 = NATO Green
- 6 = Marine Grade Desert Sand
- 7 = Marine Grade NATO Green

*Note: Multiple/all options are available together.