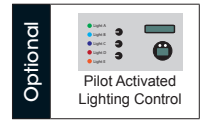


# Heliport Light

AV-HL-AC & AV-HL-DC



Optional Infrared for visibility to pilots using night vision

Single LED Optic

Circuitry housed in a robust, 7-stage powder-coated aluminium housing

Tough UV-stabilised LEXAN® Polycarbonate lens and light base

Frangible mount

## AV-HL-AC & AV-HL-DC Model

### Features

Cost effective, energy efficient heliport lighting solution

Univesal AC: will accept between 110-240VAC

DC option will accept 12VDC

Low profile to suit industry requirements

High intensity, energy efficient LED

Custom lens optic designed specifically for heliport operations

Frangible point

Optional NVG Model - Illumination invisible to naked eye to support covert operations

Available integrated with power supply or as separate components

Optional Pilot Activated Lighting Control

**Avlite's heliport light is designed to meet the standards of ICAO Annex 14 Touchdown and Lift-off perimeter lights and FAA Engineering Brief 87 Heliport Perimeter Light for Visual Meteorological Conditions.**

The light fixture is available in universal AC (100-240VAC) or 12VDC.

The advanced light optic uses a single LED for minimal power consumption. The corrosion resistant polycarbonate lens is specifically designed for use with LEDs to maximize light intensity and uniformity.

The low profile light head is made from tough, impact resistant polymers in aviation yellow and mounts to the top of a weather proof powder coated aluminium enclosure. This enclosure also houses the circuitry and convertors allowing it to withstand the harshest environments.

The light fixture with integrated power supply incorporates a frangible housing lid.

### Optional Pilot Activated Lighting Control (PALC)

The heliport light and other Avlite fixtures may be supplied integrated with a Pilot Activated Lighting Control (PALC) for remote operation of an unmanned heliport.

### Applications

Touchdown & Lift-off perimeter lights

Heliport Perimeter Light

### Compliance

Designed to meet ICAO Annex 14 - Aerodromes, Volume II 'Heliports', Fourth Edition July 2013. Touchdown & lift-off area perimeter lights - paragraph 5.3.9.21

Designed to comply with the applicable photometric requirements of Federal Aviation Administration, Memorandum Engineering Brief 87: Heliport Perimeter Light for Visual Meteorological Conditions Dated January 13, 2012



SPECIFICATIONS* *	AV-HL-AC	AV-HL-DC
<b>Light Characteristics</b>		
Light Source	LED	LED
Available colors	Red, Green, White, Yellow, Amber, Blue	Red, Green, White, Yellow, Amber, Blue
Peak Intensity @ temporary high (cd)	Up to 60cd (green)	Up to 60cd (green)
Horizontal Output (degrees)	360	360
Vertical Divergence (degrees)	Designed to comply with: • ICAO Annex 14 - Aerodromes, Volume II 'Heliports', Fourth Edition, July 2013. TLOF area perimeter lights - paragraph 5.3.9.21 • FAA Engineering Brief 87: Heliport Perimeter Light for Visual Meteorological Conditions	Designed to comply with: • ICAO Annex 14 - Aerodromes, Volume II 'Heliports', Fourth Edition, July 2013. TLOF area perimeter lights - paragraph 5.3.9.21 • FAA Engineering Brief 87: Heliport Perimeter Light for Visual Meteorological Conditions
LED Life Expectancy (hours)	>100,000	>100,000
<b>Electrical Characteristics</b>		
Current Draw (mA)	n/a	250mA @ 12VDC
Power (W)	5	n/a
Operating Voltage (V)	110-240 VAC	12 VDC
Circuit Protection	Integrated	Integrated
Temperature Range	-40 to 80°C	-40 to 80°C
Compliance	FCC / CE	FCC / CE
<b>Physical Characteristics</b>		
<b>Light Fixture:</b>		
Body Material (light head)	LEXAN® Polycarbonate - UV stabilized	LEXAN® Polycarbonate - UV stabilized
Lens Material	LEXAN® Polycarbonate - UV stabilized	LEXAN® Polycarbonate - UV stabilized
Lens Diameter (mm/inches)	100 / 3 7/8	100 / 3 7/8
Lens Design	Single LED Optic	Single LED Optic
Width (mm/inches)	121 / 4 3/4	121 / 4 3/4
Height (mm/inches)	137 / 5 1/2	137 / 5 1/2
Mass (kg/lbs)	0.4 / 7/8	0.4 / 7/8
<b>Power Supply:</b>		
Body Material	7-stage powder-coated aluminium	7-stage powder-coated aluminium
Mounting	4 x 6.5mm mounting holes	4 x 6.5mm mounting holes
Height (mm/inches)	100 / 4	100 / 4
Width (mm/inches)	115 / 4 1/2	115 / 4 1/2
Length (mm/inches)	234 / 9 1/4	234 / 9 1/4
Mass (kg/lbs)	1.7 / 3 5/8	1.7 / 3 5/8
Product Life Expectancy	Up to 12 years	Up to 12 years
<b>Assembly</b>		
Height (mm/inches)	251 / 9 7/8	251 / 9 7/8
Width (mm/inches)	115 / 4 33/64	115 / 4 33/64
Length (mm/inches)	234 / 9 7/32	234 / 9 7/32
Mass (kg/lbs)	2.1 / 4.6	2.1 / 4.6
<b>Environmental Factors</b>		
Humidity	0 to 100%, MIL-STD-810F	0 to 100%, MIL-STD-810F
Icing	22kg per square inch	22kg per square inch
Wind Speed	Up to 160kph	Up to 160kph
<b>Certifications</b>		
CE	EN61000-6-3:1997. EN61000-6-1:1997	EN61000-6-3:1997. EN61000-6-1:1997
Quality Assurance	ISO9001:2008	ISO9001:2008
Waterproof	IP67	IP67
<b>Intellectual Property</b>		
Trademarks	AVLITE® is a registered trademark of Avlite Systems	AVLITE® is a registered trademark of Avlite Systems
<b>Warranty *</b>	3 year warranty	3 year warranty
<b>Options Available</b>	• Avlite Pilot Activated Lighting Control • IR LED • Various mounting options	• Avlite Pilot Activated Lighting Control • IR LED • Various mounting options

**HOW TO ORDER**

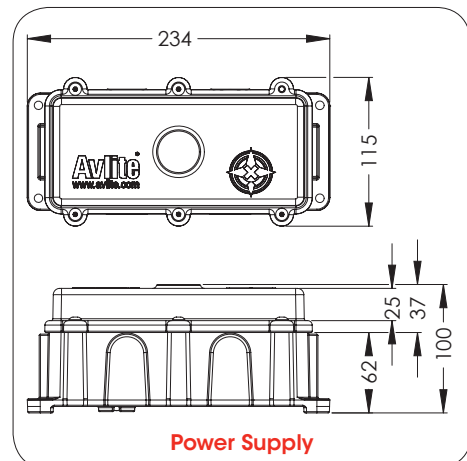
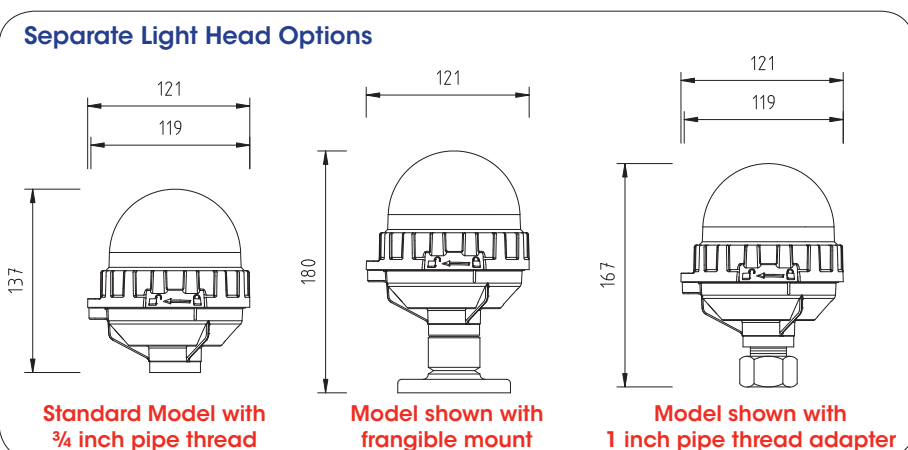
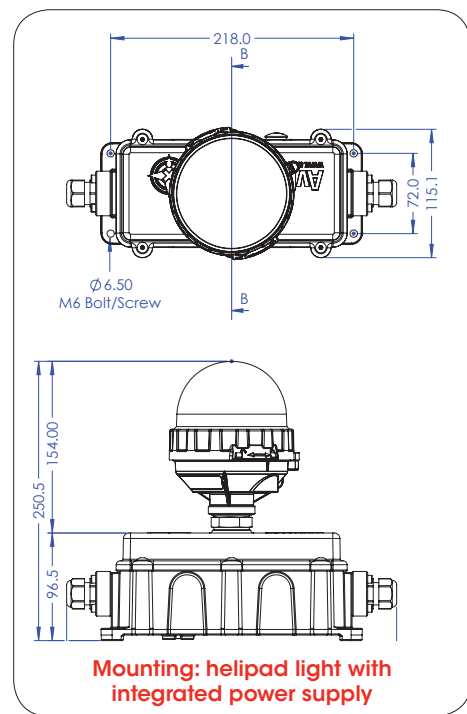
AV-HL-[Model]-[Color]-[Mount]

**Product No.:** \_\_\_\_\_

**Model:** \_\_\_\_\_  
AC = 110-240 VAC  
DC = 12 VDC

**Color:** \_\_\_\_\_  
G = Green  
W = White  
IR = Infrared

**Mounting:** \_\_\_\_\_  
01 = Heliport light with integrated power supply  
02 = Heliport light with frangible mount & separate power supply  
03 = Heliport light with 3/4" pipe thread & separate power supply  
04 = Heliport light with 1" pipe thread adapter & separate power supply



\* Specifications subject to change or variation without notice

